

IF IN DOUBT ASK

GENERAL NOTES:

TANK TO BE INSTALLED IN ACCORDANCE WITH ENSO INSTALLATION DETAILS. THICKNESS OF CONCRETE SURROUND AND GRADE TO BE ADJUSTED TO SUIT PREVAILING SITE CONDITIONS AND LOAD PARAMETERS.

ENSO ACCEPTS NO RESPONSIBILITY FOR FOUNDATIONS AND CIVILS WORKS.

WEIGHTS AND DIMENSIONS ARE INDICATIVE ONLY AND SHOULD BE CHECKED ON SITE.

750mm STANDARD INLET INVERT FOR ALL TANKS. TRIM RISERS TO SUIT SHALLOWER INSTALLATIONS (MIN.550mm).

FOR INSTALLATIONS EXCEEDING 750mm, CONTACT ENSO FOR FURTHER ADVICE.

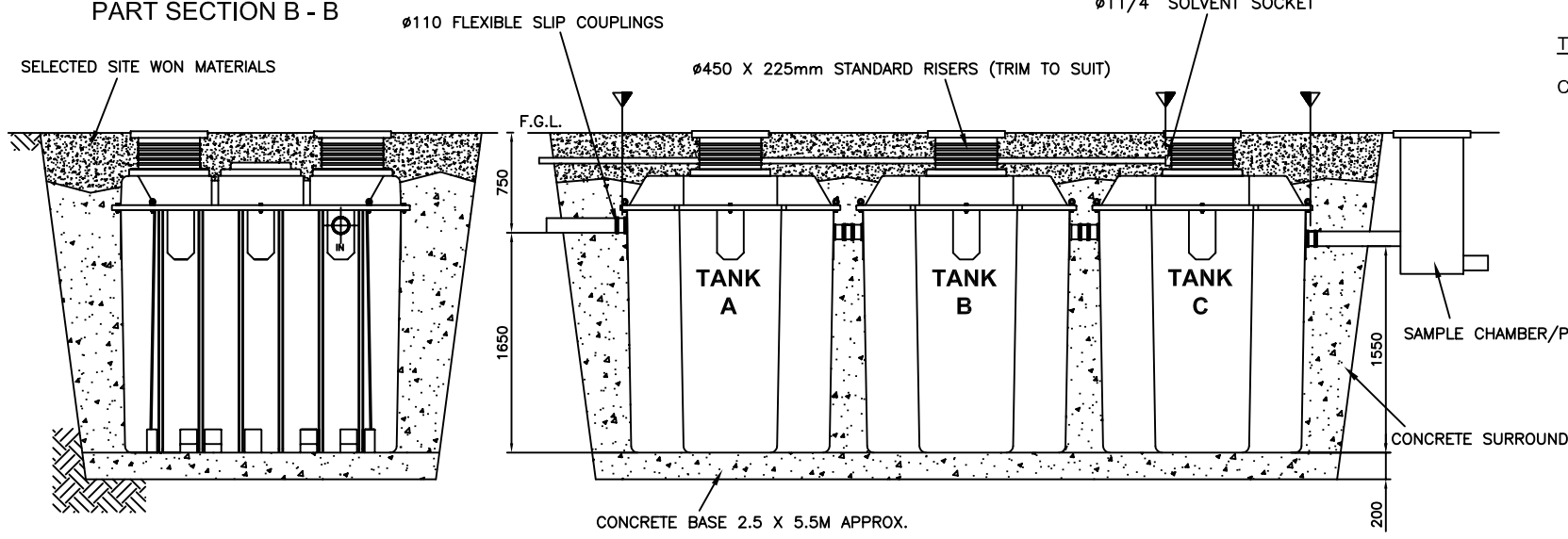
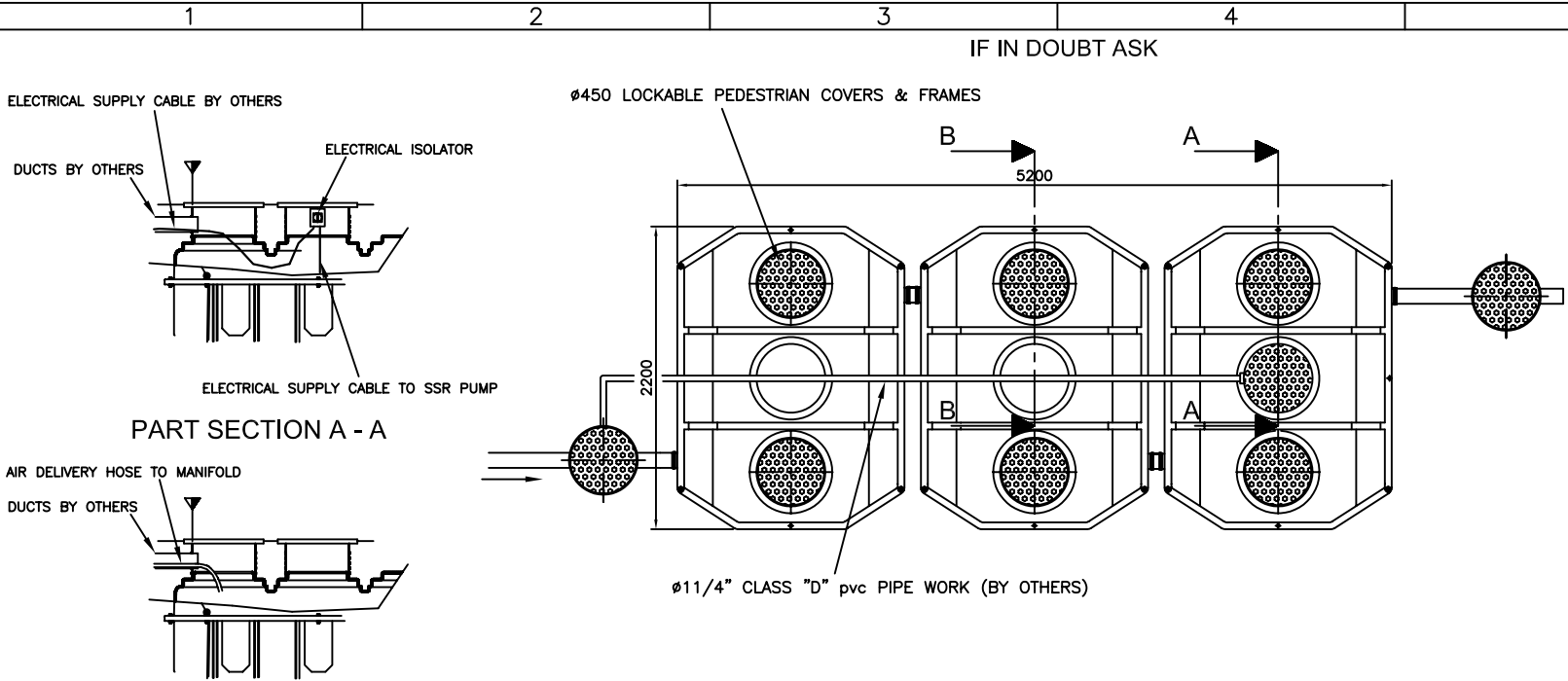
VENTILATION SHOULD BE IN ACCORDANCE WITH LOCAL AUTHORITY REQUIREMENTS.

TANK SHIPPING WEIGHT:

EACH TANK MAXIMUM 350Kg

TERMINATION POINTS

CLIENT'S SUPPLY ENSO SUPPLY



A	08.06.2006	TFW	DD	FOR INFORMATION
REV.	DATE	DRAWN	CHECKED	DESCRIPTION

THIS DRAWING IS THE PROPERTY OF ENSO INTERNATIONAL LTD AND MUST NOT BE COPIED WHOLLY OR IN PART WITHOUT WRITTEN PERMISSION. ENSO RESERVE THE RIGHT TO CHANGE SPECIFICATION WITHOUT PRIOR NOTICE.

enso
international Limited

4 St Saviours Place
Leas Rd, Guildford
Surrey GU1 4QN, England
t/f +44 (0)1483 451646
e: info@enso-international.com
w: www.enso-international.com

DRAWING TITLE

**EnSo Ocean 35 & 50
Installation Guide**

DRAWN TFW	CHECKED DD	SCALE N.T.S.
DATE 08.06.06	DATE 08.06.06	
DRAWING No. 2004-10		REVISION A